

# Technical Data Sheet Hallett 750R

www.uvpure.com

## Reuse & Rainwater Applications



## Model Validation protocol

Hallett 750R  
Third Party (PENDING)

## Operating Range

|                                |                             |
|--------------------------------|-----------------------------|
| Flow (single unit)             | Up to 40 US gpm (151 lpm)   |
| UV dose                        | 40 mJ/cm <sup>2</sup>       |
| UV Transmittance [UVT] (water) | 50 - 95% UVT                |
| Hardness (water)               | Maximum 855 mg/L (50 gpg)   |
| Iron (water)                   | Maximum 3 mg/L (3 ppm)      |
| Temperature (air and water)    | 34 - 104°F (1 - 40°C)       |
| Water pressure                 | 5 - 100 psig (34 - 690 kPa) |
| Relative humidity (air)        | Maximum 70%                 |

## Features

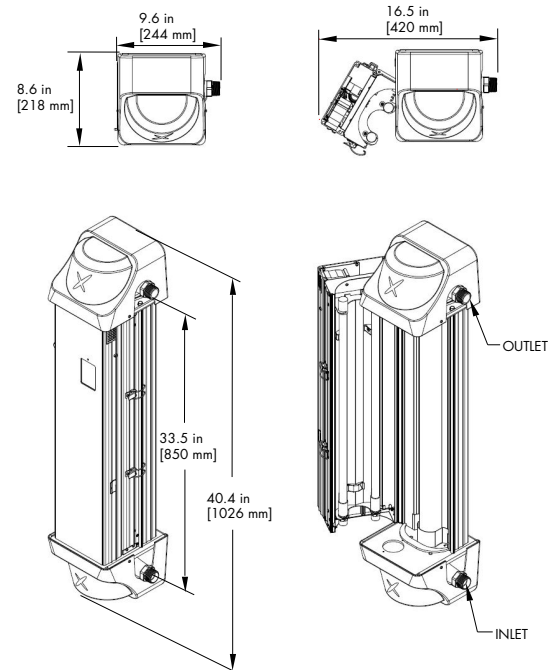
|                        |                                       |
|------------------------|---------------------------------------|
| Quartz sleeve cleaning | Built-in - automatic mechanical wiper |
| Wiper position switch  | Built-in                              |
| Purge valve            | Built-in                              |
| Cooling                | Built-in - forced air                 |
| Flow restrictor        | Optional - internal                   |
| Shut-off valve         | Optional - automatic solenoid         |

## Electrical/Instrumentation

|                             |   |
|-----------------------------|---|
| Voltage                     | 120 V AC, 50/60 Hz                        |
| Power consumption (nominal) | 222 W                                     |
| Certifications              | UL 979                                    |
| UV lamps                    | Dual LPHO - air mounted                   |
| Lamp life (typical)         | 9,000 hours                               |
| Lamp cycles (recommended)   | Maximum 2 per 24 hours                    |
| Sensors                     | Dual UV - calibrated to NIST standards    |
| Dry contacts                | Built-in - 2 provided (warning and alarm) |
| Interface                   | Colour LCD resistive touchscreen display  |
| Alarming                    | Indicator light and audible alarms        |
| Remote start/stop           | Built-in                                  |
| Onboard diagnostics         | Built-in                                  |
| 4-20mA Output & Modbus      | Optional                                  |

## Physical

|                           |   |
|---------------------------|---|
| Dimensions (H x W x D)    | 40.4 x 9.6 x 8.6 in (1026 x 244 x 218 mm)   |
| Weight (dry)              | 34 lb (15.5 kg)   |
| Weight (wet)              | 38 lb (17.2 kg)   |
| Wetted parts              | Meets NSF/ANSI 61 & NSF/ANSI 372 for water up to 73°F (23°C)  |
| Body materials            | Anodized aluminum and 316 Stainless Steel   |
| Body configuration        | Double door with side hinges  |
| Inlet/outlet ports        | 1" MNPT Stainless Steel, optional - Stainless Steel hose  |
| Ingress Protection rating | IP 51, optional - IP 66 for NEMA cabinet systems  |
| Multiple units            | Multiplex manifold and cabinets available   |
| Warranty                  | 5-year limited warranty for structural, hardware and mechanical components; 3-year limited warranty on electrical components and quartz sleeves; 12-month limited warranty on bulbs; and 1-year limited warranty on sensor probes |



**Contact a UV Pure representative to confirm product operating parameters for specific applications.**

[info@uvpure.com](mailto:info@uvpure.com)