

Technical Data Sheet Hallett 750W

www.uvpure.com

Wastewater Applications



Model Validation protocol

Hallett 750W
Third Party (PENDING)

Operating Range

Flow (single unit)	Up to 40 US gpm (151 lpm)
UV dose	30 mJ/cm ²
UV Transmittance [UVT] (water)	50 - 95% UVT
Hardness (water)	Maximum 855 mg/L (50 gpg)
Iron (water)	Maximum 3 mg/L (3 ppm)
Temperature (air and water)	34 - 104°F (1 - 40°C)
Water pressure	5 - 100 psig (34 - 690 kPa)
Relative humidity (air)	Maximum 70%

Electrical/Instrumentation

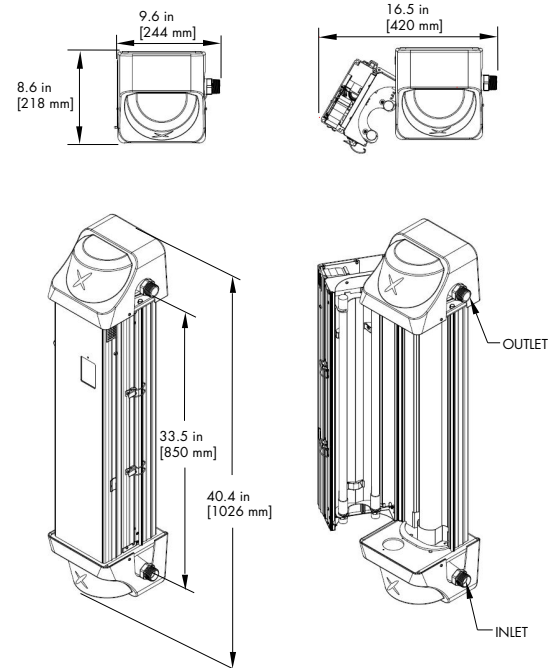
Voltage	120 V AC, 50/60 Hz
Power consumption (nominal)	222 W
Certifications	UL 979
UV lamps	Dual LPHO - air mounted
Lamp life (typical)	9,000 hours
Lamp cycles (recommended)	Maximum 2 per 24 hours
Sensors	Dual UV - calibrated to NIST standards
Dry contacts	Built-in - 2 provided (warning and alarm)
Interface	Colour LCD resistive touchscreen display
Alarming	Indicator light and audible alarms
Remote start/stop	Built-in
Onboard diagnostics	Built-in
4-20mA Output & Modbus	Optional

Physical

Dimensions (H x W x D)	40.4 x 9.6 x 8.6 in (1026 x 244 x 218 mm)
Weight (dry)	34 lb (15.5 kg)
Weight (wet)	38 lb (17.2 kg)
Wetted parts	Meets NSF/ANSI 61 & NSF/ANSI 372 for water up to 73°F (23°C)
Body materials	Anodized aluminum and 316 Stainless Steel
Body configuration	Double door with side hinges
Inlet/outlet ports	1" MNPT Stainless Steel, optional - Stainless Steel hose
Ingress Protection rating	IP 51, optional - IP 66 for NEMA cabinet systems
Multiple units	Multiplex manifold and cabinets available
Warranty	5-year limited warranty for structural, hardware and mechanical components; 3-year limited warranty on electrical components and quartz sleeves; 12-month limited warranty on bulbs; and 1-year limited warranty on sensor probes

Features

Quartz sleeve cleaning	Built-in - automatic mechanical wiper
Wiper position switch	Built-in
Purge valve	Built-in
Cooling	Built-in - forced air
Flow restrictor	Optional - internal
Shut-off valve	Optional - automatic solenoid



Contact a UV Pure representative to confirm product operating parameters for specific applications.

info@uvpure.com