

Technical Data Sheet

Hallett™ 1000W

www.uvpure.com

Wastewater Applications



Model

Hallett 1000W

Validation protocol

US EPA UVDGM

IECEE CB + CE Mark

Operating Range

| | |
|--------------------------------|-----------------------------|
| Flow (single unit)* | Up to 75 US gpm (284 Lpm) |
| UV dose | 16 - 60 mJ/cm ² |
| UV Transmittance [UVT] (water) | 35 - 80% UVT |
| Hardness (water) | Maximum 855 mg/L (50 gpg) |
| Iron (water) | Maximum 3 mg/L (3 ppm) |
| Temperature (air) | 34 - 104°F (1 - 40°C) |
| Temperature (water) | 34 - 95°F (1 - 35°C) |
| Water pressure | 5 - 100 psig (34 - 690 kPa) |
| Relative humidity (air) | Maximum 70% |

Features

Quartz sleeve cleaning
Wiper position switch
Purge valve
Cooling
Flow restrictor
Shut-off valve

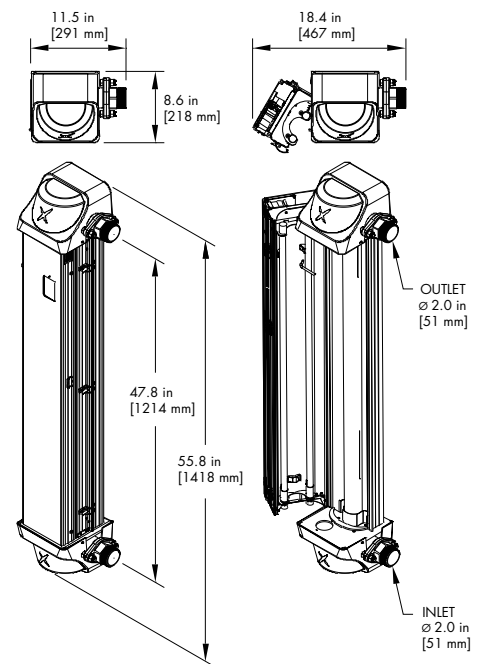
Built-in - automatic mechanical wiper
Built-in
Built-in
Built-in - forced air
Optional - external
Optional - automatic solenoid

Electrical/Instrumentation

| | |
|-----------------------------|---|
| Voltage | 120/230 V AC, 50/60 Hz |
| Power consumption (nominal) | 403 W |
| Certifications | UL 979 |
| UV lamps | Dual amalgam - air mounted |
| Lamp life (typical) | 12,000 hours |
| Lamp cycles (recommended) | Maximum 6 to 12 cycling per 24 hours |
| Sensors | Quad UV - calibrated to NIST standards |
| Dry contacts | Built-in - 2 provided (warning and alarm) |
| Interface | Colour LCD resistive touchscreen display |
| Alarming | Indicator light and audible alarms |
| Remote start/stop | Built-in |
| Onboard diagnostics | Built-in |
| 4-20mA Output & Modbus | Optional |

Physical

| | |
|---------------------------|--|
| Dimensions (H x W x D) | 55.8 x 11.5 x 8.6 in (1418 x 291 x 218 mm) |
| Weight (dry) | 52 lb (23.5 kg) |
| Weight (wet) | 58.3 lb (26.4 kg) |
| Wetted parts | Meets NSF/ANSI/CAN 61 & NSF/ANSI 372 for water up to 73°F (23°C) |
| Body materials | Anodized aluminum and 316 Stainless Steel |
| Body configuration | Double door with side hinges |
| Inlet/outlet ports | 2" MNPT Stainless Steel, optional - Stainless Steel hose |
| Ingress Protection rating | IP 51, optional - IP 66 for NEMA cabinet systems |
| Multiple units | Multiplex manifold and cabinets available |
| Warranty | 5-year limited warranty for structural, hardware and mechanical components; 3-year limited warranty on electrical components and quartz sleeves; 16-month limited warranty on bulbs; and 1-year limited warranty on sensor probes |



Contact a UV Pure representative to confirm product operating parameters for specific applications.

info@uvpure.com

*Maximum flow for single unit is 100 gpm (378 L/min). Multiplex manifold and cabinet systems available for flows up to 1 MGD (3,800 m³/day).